



# RABBIT HUTCH FRAME KIT ASSEMBLY INSTRUCTIONS

Upon completing the assembly of the Little Giant Rabbit Hutch, make sure you have purchased the right Frame Kit as described below.

Model AHFK24 Frame Kit (used for: Model AH2424 Rabbit Hutches).

Model AHFK30 Frame Kit (used for: Model AH3030 and Model AH3036 Rabbit Hutches).

Frame Kits are available to allow you to stack hutches up to four high (see fig. 1).

## **Each Frame Kit Contains (see Fig. 2)**

- 4 ea. . . . . Legs
- 2 ea. . . . . Tray Brackets
- 4 sets . . . . . Bolts, Washers, Nuts

### **If assembling 1 Frame Kit:**

**Step 1:** Slide a leg into the mesh of wire on each side of hutch at the front and back corners. The top and bottom wires of the hutch rest on the sets of prongs on each leg, to help in assembly bend prongs out slightly with screwdriver. Be sure each leg is flush vertically with the hutch. (See fig. 3)

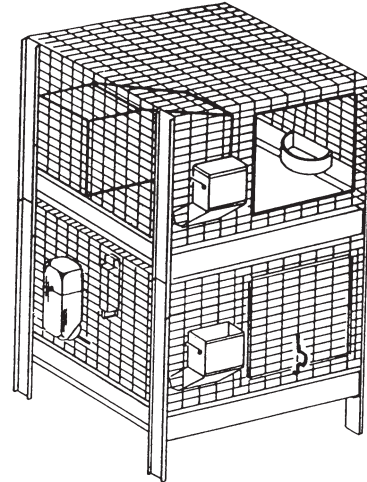
NOTE: Wire cage clips can not be used in the corners where legs are to be installed. If there are clips in these locations, they must be removed. Now insert bolt with flat washer from inside to out, do not tighten nuts. (See fig. 3)

### **If assembling 2 or more Frame Kits:**

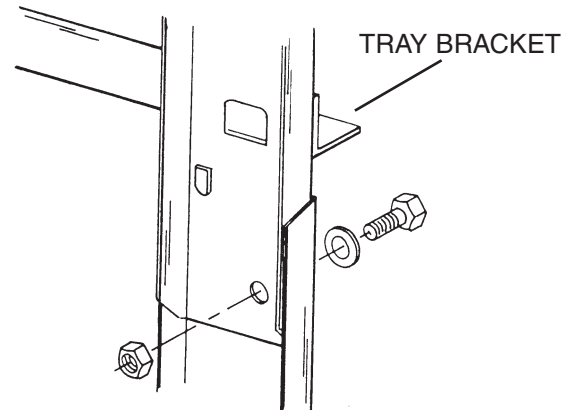
**Step 2:** Install legs on first hutch as in Step 1, but do not use bolts, flat washers and nuts at this point. Now insert legs from 2nd frame kit onto the top of the legs of the 1st hutch. (see fig. 2) Fasten the legs together by inserting bolts, flat washers, from inside to out, do not tighten nuts. (see fig. 2)

**Step 3:** Slide in second hutch onto the legs with the same procedure as step 1. (see fig.1) (another person is helpful when sliding hutch into position). Use the same procedure when stacking the third or fourth hutch.

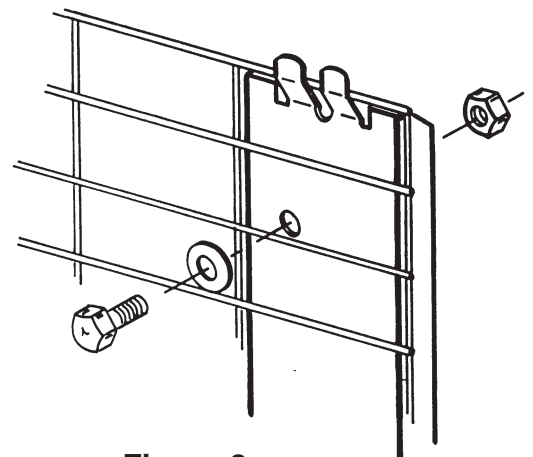
**Step 4:** Install tray bracket onto legs front to back by inserting the wide prongs in legs into slots in tray bracket. (see fig. 2) Now tighten all nuts securely. The dropping pan slides under the hutch on these tray brackets (Little Giant label facing out).



**Figure 1**



**Figure 2**



**Figure 3**